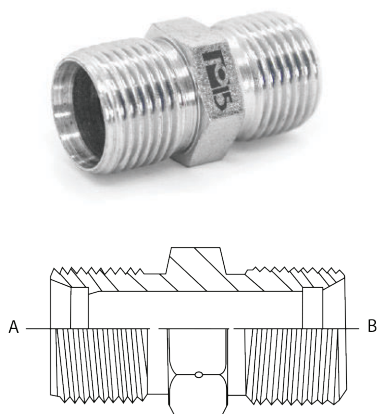
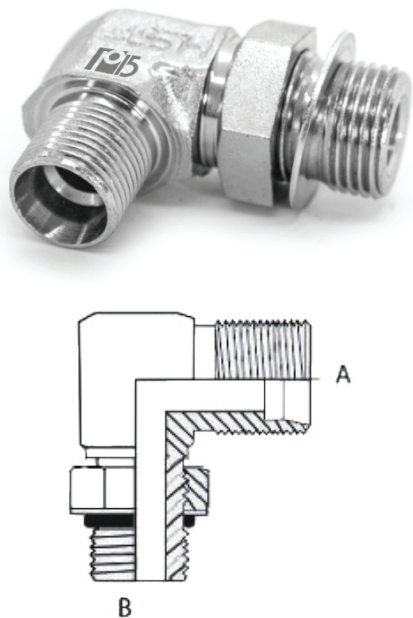


D0604 Adaptador Rosca Macho UNF Tubo a Rosca Macho UNF Tubo



N° Código	Diámetro Exterior Tubo	Tamaño de Rosca	
		Rosca "A" UNF	Rosca "B" UNF
D0604-02-02	1/8"	5/16"-24	5/16"-24
D0604-03-03	3/16"	3/8"-24	3/8"-24
D0604-04-04	1/4"	7/16"-20	7/16"-20
D0604-05-05	5/16"	1/2"-20	1/2"-20
D0604-06-06	3/8"	9/16"-18	9/16"-18
D0604-08-08	1/2"	3/4"-16	3/4"-16
D0604-10-10	5/8"	7/8"-14	7/8"-14
D0604-12-12	3/4"	1 1/16"-12	1 1/16"-12
D0604-14-14	7/8"	1 3/16"-12	1 3/16"-12
D0604-16-16	1"	1 5/16"-12	1 5/16"-12
D0604-20-20	1 1/4"	1 5/8"-12	1 5/8"-12
D0604-24-24	1 1/2"	1 7/8"-12	1 7/8"-12
D0604-32-32	2"	2 1/2"-12	2 1/2"-12

D0605 Codo 90 Rosca Macho UNF Tubo a Rosca Macho UNF para O'Ring con Tuerca y Arandela



N° Código	Diámetro Exterior Tubo	Tamaño Rosca		O'Ring
		Rosca "A" UNF	Rosca "B" UNF	
D0605-02-02	1/8"	5/16"-24h	5/16"-24h	Nitrilo D70 3-902
D0605-03-03	3/16"	3/8"-24h	3/8"-24h	Nitrilo D70 3-903
D0605-04-04	1/4"	7/16"-20h	7/16"-20h	Nitrilo D70 3-904
D0605-05-05	5/16"	1/2"-20h	1/2"-20h	Nitrilo D70 3-905
D0605-06-06	3/8"	9/16"-18h	9/16"-18h	Nitrilo D70 3-906
D0605-08-08	1/2"	3/4"-16h	3/4"-16h	Nitrilo D70 3-908
D0605-10-10	5/8"	7/8"-14h	7/8"-14h	Nitrilo D70 3-910
D0605-12-12	3/4"	1 1/16"-12h	1 1/16"-12h	Nitrilo D70 3-912
D0605-14-14	7/8"	1 3/16"-12h	1 3/16"-12h	Nitrilo D70 3-914
D0605-16-16	1"	1 5/16"-12h	1 5/16"-12h	Nitrilo D70 3-916