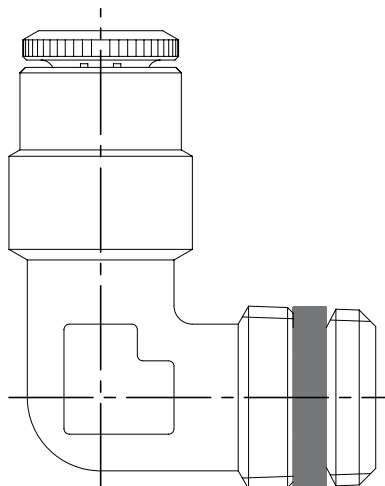


## Conexiones Push-In para caños de poliamida y poliuretano

### Rápidas p/tubo métrico "codo 90" T x Rosca Fija BSPT

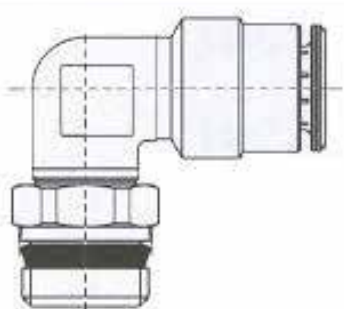
**D0729**



| Nº CODIGO  | Tamaño de la rosca    |
|------------|-----------------------|
| 0729-04-02 | T 4mm X RF 1/8" BSPT  |
| 0729-04-04 | T 4mm X RF 1/4" BSPT  |
| 0729-05-02 | T 5mm X RF 1/8" BSPT  |
| 0729-06-02 | T 6mm X RF 1/8" BSPT  |
| 0729-06-04 | T 6mm X RF 1/4" BSPT  |
| 0729-08-02 | T 8mm X RF 1/8" BSPT  |
| 0729-08-04 | T 8mm X RF 1/4" BSPT  |
| 0729-08-06 | T 8mm X RF 3/8" BSPT  |
| 0729-10-04 | T 10mm X RF 1/4" BSPT |
| 0729-10-06 | T 10mm X RF 3/8" BSPT |
| 0729-12-06 | T 12mm X RF 3/8" BSPT |

### Rápidas p/tubo métrico "codo 90" T x Rosca Giratoria BSPT

**D0730**



| Nº CODIGO  | Tamaño de la rosca    |
|------------|-----------------------|
| 0730-04-02 | T 4mm X RG 1/8" BSPT  |
| 0730-04-04 | T 4mm X RG 1/4" BSPT  |
| 0730-05-02 | T 5mm X RG 1/8" BSPT  |
| 0730-05-04 | T 5mm X RG 1/4" BSPT  |
| 0730-06-02 | T 6mm X RG 1/8" BSPT  |
| 0730-06-04 | T 6mm X RG 1/4" BSPT  |
| 0730-08-02 | T 8mm X RG 1/8" BSPT  |
| 0730-08-04 | T 8mm X RG 1/4" BSPT  |
| 0730-08-06 | T 8mm X RG 3/8" BSPT  |
| 0730-10-04 | T 10mm X RG 1/4" BSPT |
| 0730-10-06 | T 10mm X RG 3/8" BSPT |
| 0730-10-08 | T 10mm X RG 1/2" BSPT |
| 0730-12-04 | T 12mm X RG 1/4" BSPT |
| 0730-12-06 | T 12mm X RG 3/8" BSPT |
| 0730-12-08 | T 12mm X RG 1/2" BSPT |